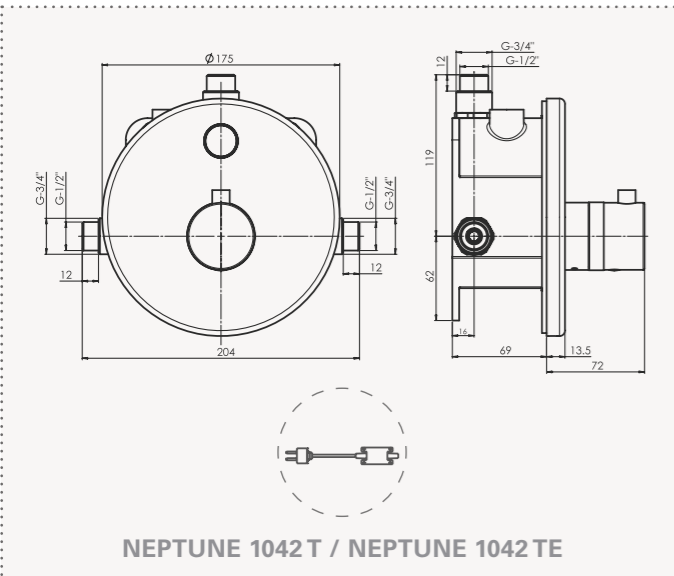


NEPTUNE 1042 T

Touch free electronic shower control operated by an infrared sensor. Includes a thermostatic mixer, non return valves, filters and thermostop at 38°. Available with an internally mounted 9V battery or 9V Transformer. Sensor and Solenoid valve are located inside the product body. Sensor range is adjustable manually and by remote control. Other sensor settings (sensor range, delay in, delay out and security time) can also be adjusted by remote control.

stern
STERN ENGINEERING LTD



ORDERING INFORMATION

NAME	PART NUMBER	POWER SUPPLY
NEPTUNE 1042T	612280	Internally mounted 9V battery
NEPTUNE 1042 TE	612281	9V IP68 Encapsulated transformer supplied.

PRODUCT AT A GLANCE

Power source	Internally mounted 9V battery, supplied or 9V IP68 encapsulated transformer.
Operating pressure	0.5-8.0 bar (15.0-116.0 PSI)
Water temperature	Max 65°C
Water supply	Cold and hot water (2 inlets). Features a thermostatic mixer to adjust the temperature.
Default shower cycle	120 seconds. Adjustable.
Anti Legionella hygiene flush	Deactivated. Can be activated 24 hours on site if desired.
Installation	Double piping installation box and mud protector provided.

